

Adapters for Elbow Connector

Adapters for Elbow Connector MNW

Connection: M5 to G1/2"

Adapters for Elbow Connector MNW



Introduction and application

- ◆ Adapter for elbow connector for use in restricted spaces
- ◆ Adapter for side connection ANW permits mounting on other accessories such as spring plungers or, together with mounting adapter VRS-AN, on standard holders or mounting brackets

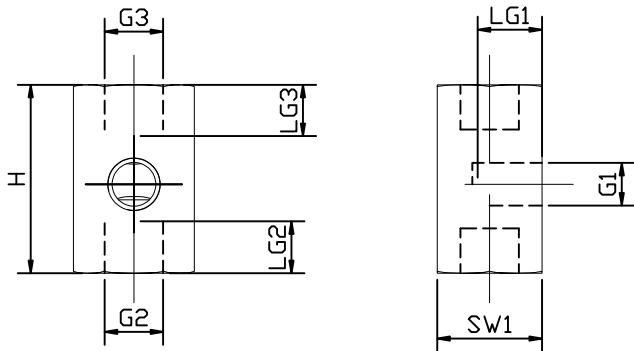
Ordering Guide Adapters for Elbow Connector MNW

Type	Vacuum connection thread	Connecting thread of suction cup	Ordering Data
MNW M5-IG M5-IG	M5-IG	M5-IG	90.04.01.00136
MNW G1/8-IG G1/8-AG	G1/8-IG	G1/8-AG	90.04.01.00137
MNW G1/8-IG G1/4-AG	G1/8-IG	G1/4-AG	90.04.01.00138
MNW G3/8-IG G3/8-AG	G3/8-IG	G3/8-AG	90.04.01.00139
MNW G3/8-IG G1/2-AG	G3/8-IG	G1/2-AG	90.04.01.00140

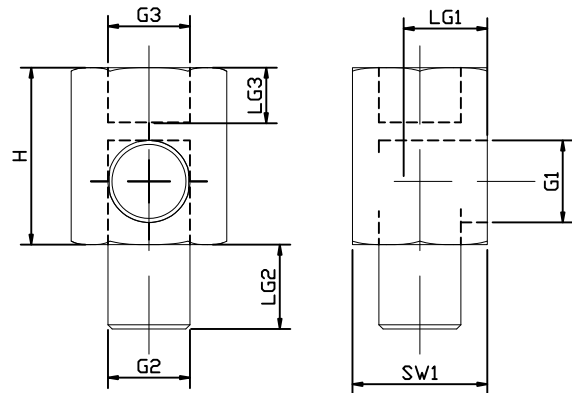
Note: AG(external thread) IG(internal thread)

Design Data Adapters for Elbow Connector MNW

MNW M5-IG M5-IG

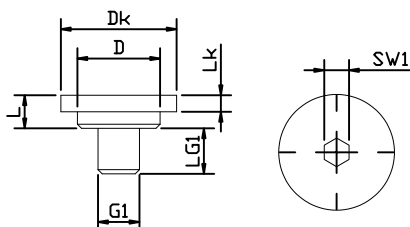


MNW G1/8-IG G1/8-AG to G3/8-IG G1/2-AG



Type	Dimensions[mm]									
	dn	G1	G2	G3	H	H1	LG1	LG2	LG3	SW1
MNW M5-IG M5-IG	-	M5-F	M5-F	M5-F	18	8.5	6.0	5	5	10
MNW G1/8-IG G1/8-AG	6.6	G1/8"-F	G1/8"-M	G1/8"-F	21	7.5	9.5	7	6	16
MNW G1/8-IG G1/4-AG	8.0	G1/8"-F	G1/4"-M	G1/4"-F	26	8.0	11.0	10	10	18
MNW G3/8-IG G3/8-AG	10.0	G3/8"-F	G3/8"-M	G1/2"-F	35	10.5	13.0	10	12	24
MNW G3/8-IG G1/2-AG	10.0	G3/8"-F	G1/2"-M	G1/2"-F	35	10.5	13.0	10	12	24

VRS-AN



Structure Data VRS-AN

Type	Dimensions[mm]						
	D	DK	G1	L	LG1	LK	SW1
VRS-AN M5-AG	10	14	M5-M	4	5.5	2	3
VRS-AN G1/8-AG	16	20	G1/8"-M	4	7.0	2	5
VRS-AN G1/4-AG	20	25	G1/4"-M	6	10.0	3	6
VRS-AN G1/2-AG	28	32	G1/2"-M	7	11.0	3	10